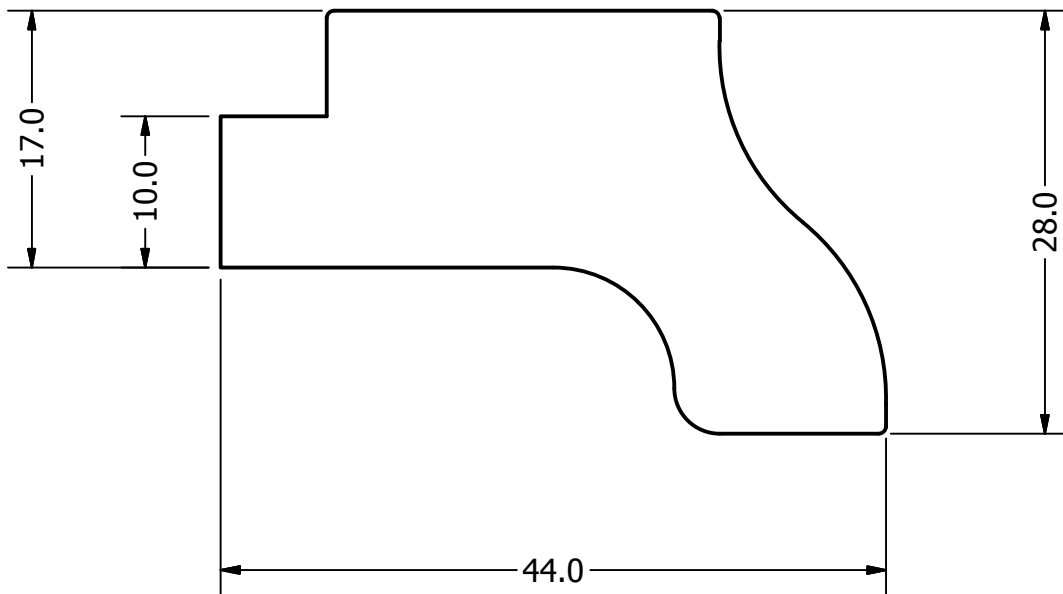
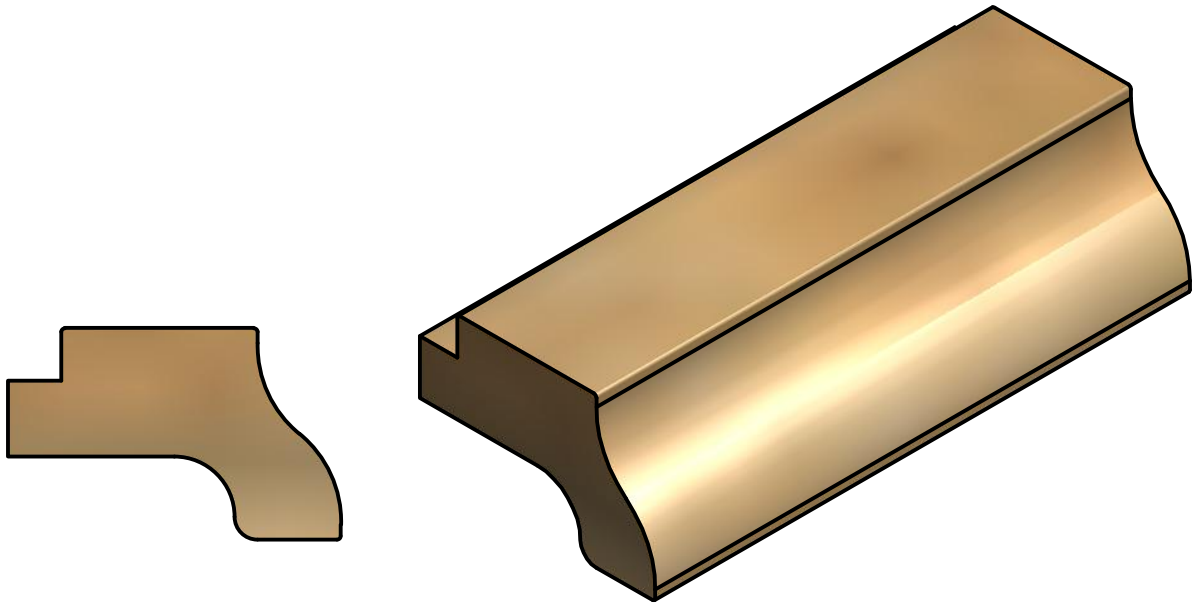


# Q Wood - Product Drawing

Quantum Profile Systems Ltd.  
Salmon Fields, Royton, Oldham, Lancashire, OL2 6JG  
Tel: 0161 627 4222 Fax: 0161 627 4333 email: info@quantum-ps.co.uk



SCALE 1 : 1



Product: QW-HDB1 Head Drip Bead

Scale: 2:1

Material: WPC



QPSL

This drawing should be used for illustration purposes only. It cannot be used as a specification of the part. For more information please call 0161 627 4222 or mailto: CustomerService@quantum-ps.co.uk