

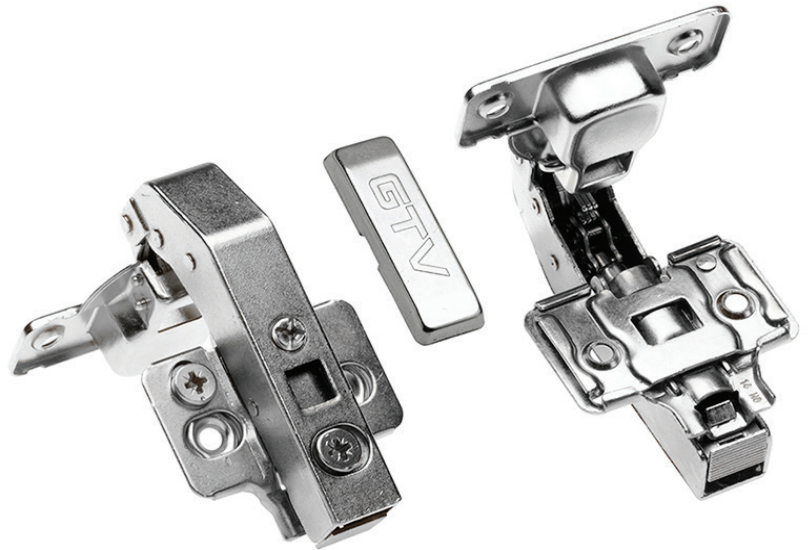
Data Sheet

A pair of parallel soft close cabinet hinges with 0mm mounting plate, screws and cover plates.

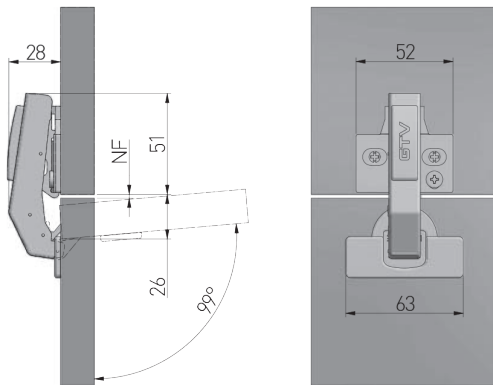
Item Code: KJZ1191

Product Details

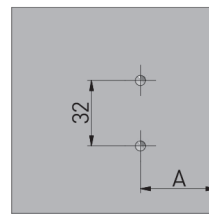
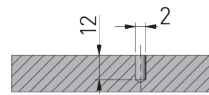
Guide height: 0
Material: Steel
Finish: Nickel
Hinge type: Parallel
Mechanism: Hydraulic
Action: Single
Adjustment: Yes (± 2 mm Horizontal, ± 1.5 mm Vertical & Depth)



Planning

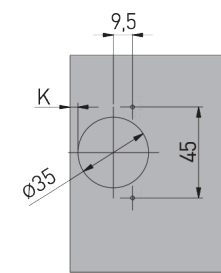


Mounting plate installation



A = 20

Hinge cup installation



	NF	-6	-5	-4	-3	-2
H=0	K			3	4	5

- A = Gap between mounting plate and the cabinet edge (mm)
- NF = Front Overlay (mm)
- H = Mounting plate height
- K = Gap between hinge cup and cabinet edge (mm)
- Gf = Front thickness