

# Q-Wood - Product Drawing

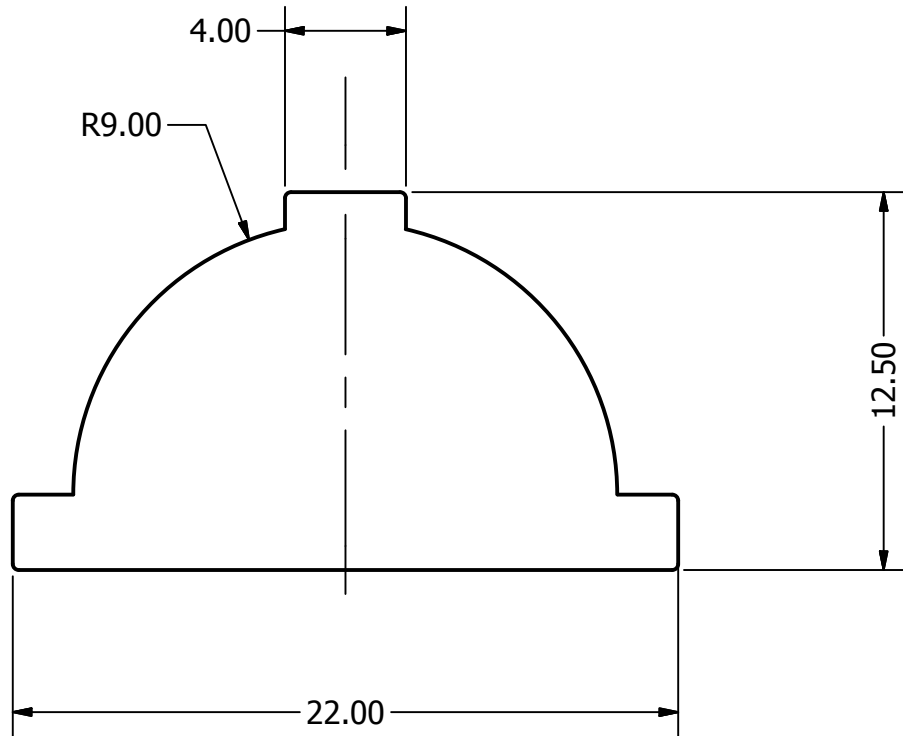
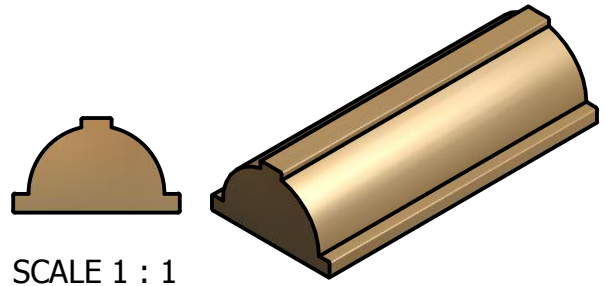
Quantum Profile Systems Ltd.  
Salmon Fields, Royton, Oldham, Lancashire, OL2 6JG  
Tel: 0161 627 4222 Fax: 0161 627 4333 email: info@quantum-ps.co.uk



Unspecified tolerances:  
All dimensions are in millimeters  
unless otherwise stated.  
Unspecified Radii 0.2mm

Holes +/- .1mm  
Angles +/- .5 Deg  
Radii +/- .2mm

No. Dec Places +/- .5mm  
1 Dec Place +/- .2mm  
2 Dec Places +/- .1mm



Product: QW-OB1

Scale: 4:1

Material: WPC



This drawing should be used for illustration purposes only. It cannot be used as a specification of the part.  
For more information please call 0161 627 4222 or mailto CustomerService@quantum-ps.co.uk