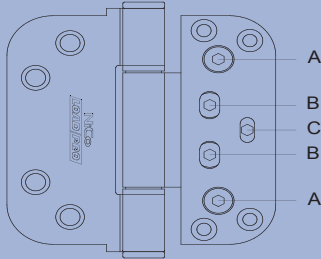


Technical Data

Hinge Adjustment Sequence



Vertical Adjustment

Slacken 'A' screws on hinges. Adjust door to correct height and retighten screws.

Horizontal Adjustment

Partially slacken 'B' screws on hinge. Turn 'C' screw anticlockwise to move leaves apart and clockwise to bring them together. Retighten 'B' screws after adjustment. NOTE. Hinges supplied set with 2mm hinge gap.

Seal Compression Adjustment

Slacken 'B' screws. Adjust door to correct compression on seal and retighten screws.

The Nico 3D Adjustable Door Hinge features an innovative, patented design that allows independent adjustment in all three axes by 4mm key.

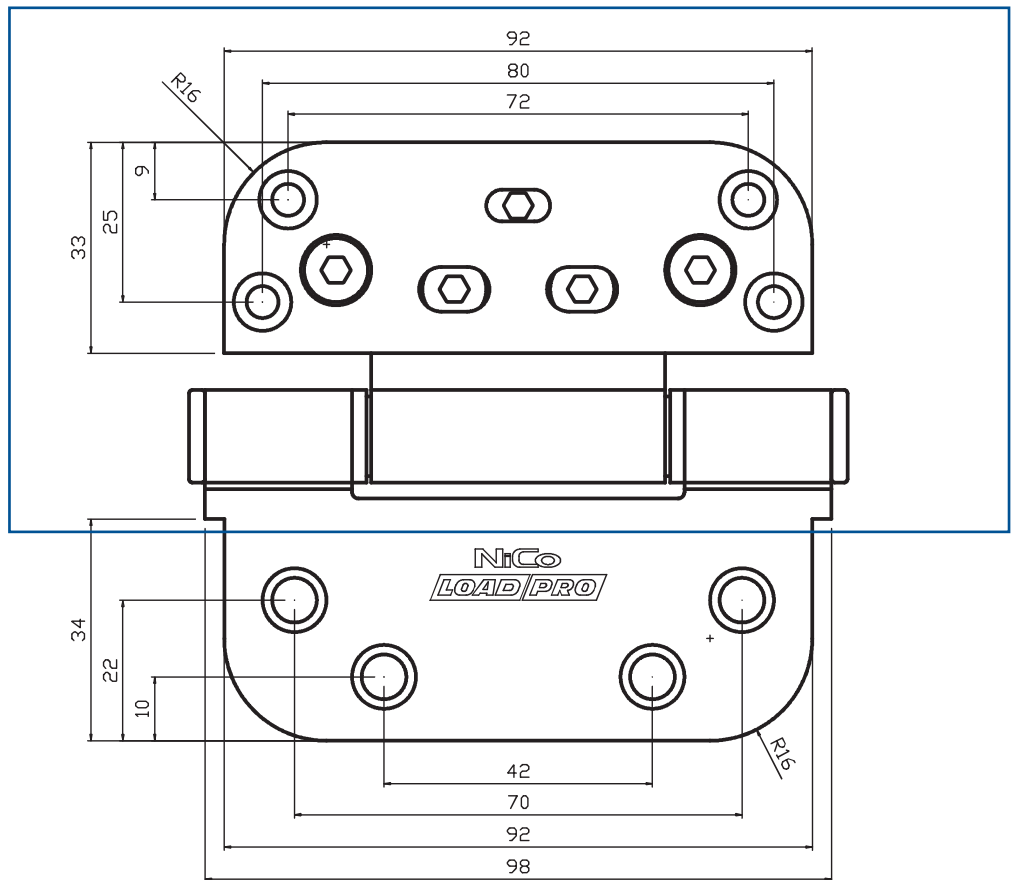
There are no shims and all adjustments can be carried out in situ.

- +/- 2.5mm Height
- +/- 2mm Side
- +/- 2mm Depth (compression)

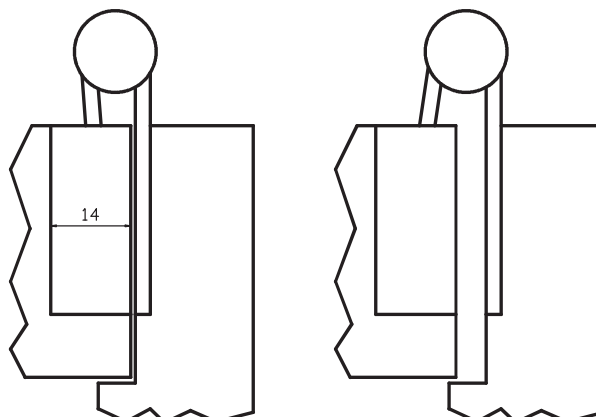
Secured by Design



Official Police Security Initiative



Hinge Side Adjustment



Minimum Gap 0mm

Maximum Gap 4mm



ISO 9001 Cert No: Q 09355